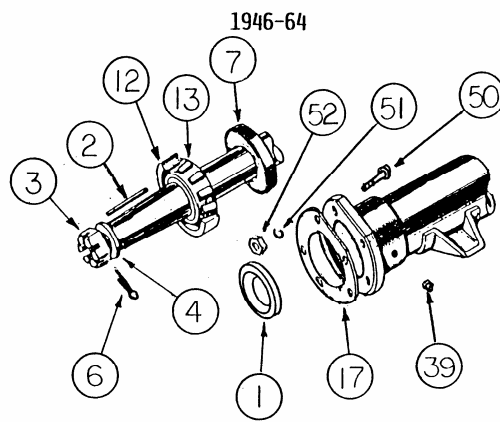
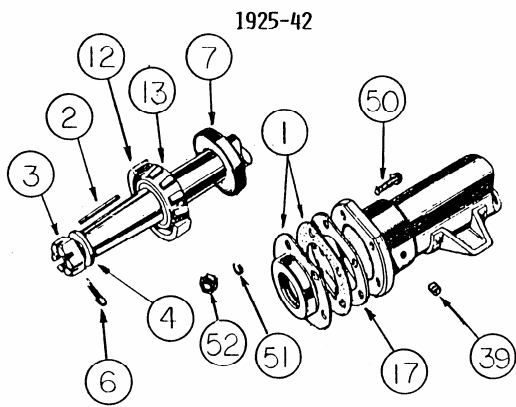
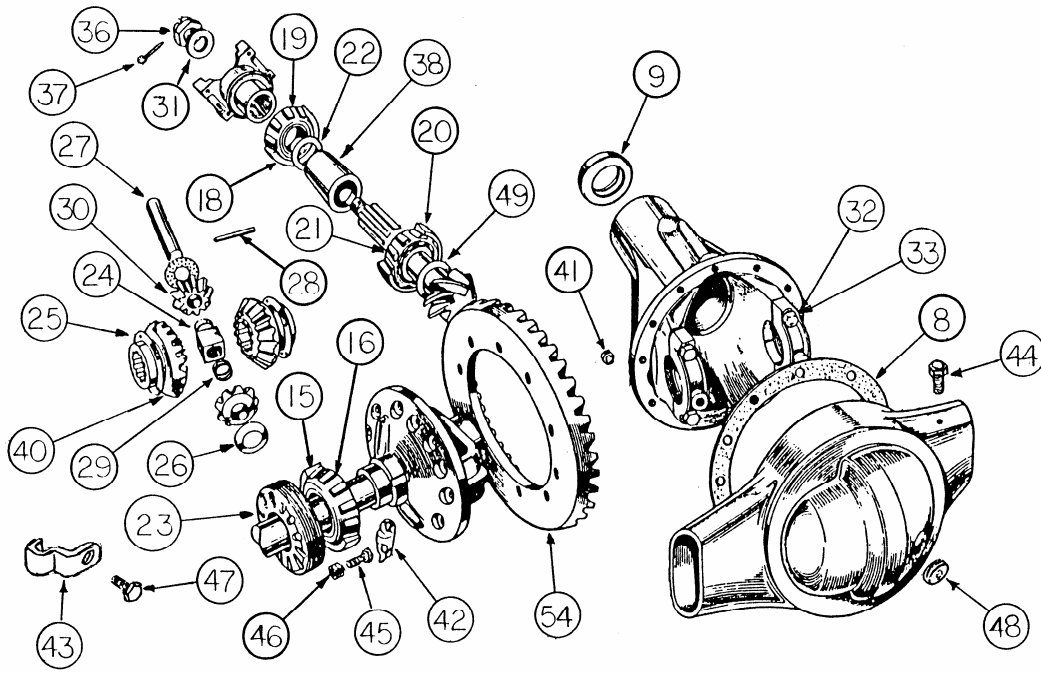


## 8 1/4" (REMOVABLE CARRIER) RING GEAR REAR AXLE 8 3/4" RING GEAR AXLE



KEY	ATLAS P/N	QTY REQ	PLYMOUTH	DODGE	DESOTO	CHRYSLER/ IMPERIAL
1	806-264 Oil Seal & Gasket	2	1928-32 all PLYMOUTH	1930-32 all DODGE	1928-32 all DESOTO	1928-33 all CHRYSLER
1	806-265 Oil Seal & Gasket	2	1933 all PLYMOUTH	1933 6-cylinder		
1	806-266 Oil Seal & Gasket 806-267 Gasket	2 2			1934 all DESOTO 1935 SG	
1	806-257 Oil Seal & Gasket 806-270 Gasket	2 2	1934-35 all PLYMOUTH	1934-35 all DODGE	1935 SF	1935 all CHRYSLER

**8 1/4" (REMOVABLE CARRIER) RING GEAR REAR AXLE  
8 3/4" RING GEAR AXLE (CONT'D)**

<b>K E Y</b>	<b>ATLAS P/N</b>	<b>QTY REQ</b>	<b>PLYMOUTH</b>	<b>DODGE</b>	<b>DESOTO</b>	<b>CHRYSLER/ IMPERIAL</b>
1	806-183 Oil Seal & Gasket 806-184 Gasket	2 2	1936-42 all PLYMOUTH	1936-42 all DODGE	1936-42 all DESOTO	1936-37 all CHRYSLER 1938-42 6-cylinder
1	806-268 Oil Seal & Gasket 806-269 Gasket	2 2				1938-42 8-cylinder
1	806-008 Outer Oil Seal	2	1946-61 all PLYMOUTH	1946-59 all DODGE	1946-48 all DESOTO 1946-56 exc Est Wagon 1957-59 all DESOTO	1946-50 6-cylinder 1951-54 Saratoga Windsor 1955-56 exc Estate Wagon exc IMPERIAL 1957-59 exc 300 exc IMPERIAL
1	806-140 Outer Oil Seal	2			1949-56 Estate Wagon	1946-50 C39, C46, C54 1951-54 C52, C54, C58 C82, C64 1955-56 Est Wagon, IMPERIAL
1	806-103 Outer Oil Seal	2				1946-48 IMPERIAL
1	806-141 Outer Oil Seal	2				1949-50 all IMPERIAL 1951-59 CR IMPERIAL
2	825-057 Axle Shaft Key	2	1928-59 all PLYMOUTH	1929-59 all DODGE	1928-59 all DESOTO	1925-59 all CHRYSLER 1955-59 all IMPERIAL
3	825-047 Axle Shaft Nut	2	1928-59 all PLYMOUTH	1930-59 all DODGE	1928-59 all DESOTO	1925-59 all CHRYSLER 1955-59 all IMPERIAL
4	825-058 Axle Washer	2	1928-59 all PLYMOUTH	1930-59 all DODGE	1928-59 all DESOTO	1926-59 all CHRYSLER 1955-59 all IMPERIAL
6	825-067 Cotter Pin	2	1928-59 all PLYMOUTH	1930-59 all DODGE	1952-59 all DESOTO	1929-59 all CHRYSLER 1955-59 all IMPERIAL
7	806-271 Inner Oil Washer	2	1928-32 all PLYMOUTH	1928-32 all DODGE	1928-32 all DESOTO	1928-32 all CHRYSLER
7	806-272 Inner Oil Washer	2	1933 all PLYMOUTH	1933 all DODGE		
7	806-256 Inner Oil Washer	2	1934-35 all PLYMOUTH	1934-35 all DODGE	1933-35 all DESOTO	1933-35 all CHRYSLER
7	806-012 Inner Oil Seal	2	1936-48 all PLYMOUTH	1936-48 exc LWB	1936-48 exc LWB	1936-48 6-cylinder exc LWB

**8 1/4" (REMOVABLE CARRIER) RING GEAR REAR AXLE  
8 3/4" RING GEAR AXLE (CONT'D)**

<b>K E Y</b>	<b>ATLAS P/N</b>	<b>QTY REQ</b>	<b>PLYMOUTH</b>	<b>DODGE</b>	<b>DESOTO</b>	<b>CHRYSLER/ IMPERIAL</b>
7	806-137 Inner Oil Seal	2		1936-48 LWB	1936-48 LWB	1936-48 6-cylinder LWB 8-cylinder exc IMPERIAL
7	806-138 Inner Oil Seal	2				1936-50 all IMPERIAL 1951-56 CR IMPERIAL
7	806-012 Inner Oil Seal	2	1949-58 all PLYMOUTH 1959-61 1 3/8" ID	1949-57 all DODGE 1958 LD1, LD2	1949-56 exc Est Wagon 1957 Firesweep	1949-50 6-cylinder 1951-54 C51, C55, C60 1955-56 exc Est Wagon exc IMPERIAL
7	806-139 Inner Oil Seal	2			1949-56 Est Wagon	1949-50 Nw Ykr, Saratoga 1951-54 C52, C54, C56 C59, C63, C64 1955-56 C63, C73, Es Wagon
7	806-006 Inner Oil Seal	2	1959 1 1/2" ID	1958 LD3 1959 1 1/2" ID	1957 exc Firesweep 1958-59 all DESOTO	1957-59 all CHRYSLER all IMPERIAL
8	806-262 Carrier Gasket	1	1928-36 all PLYMOUTH	1933-36 all DODGE	1928-36 all DESOTO	1923-36 6-cylinder 1937-49 C14, C19, C23, C26 C26, C30, C39, C46
8	806-273 Carrier Gasket	1				1936-48 C9, C10, C11, C17 C27, C33, C37, C40 1949 C47 thru 7813049
8	806-205 Carrier Gasket	1	1937-56 all PLYMOUTH	1937-56 all DODGE	1937-54 6-cylinder exc Est Wagon LWB 1955-56 S22, S23 exc Est Wagon	1937-54 6-cylinder exc Est Wagon LWB 1955-56 C67, C71 exc Est Wagon exc Pwr Pack
8	806-206 Carrier Gasket	1			1952 8-cylinder 1953-54 6-cylinder Est Wagon LWB 8-cylinder 1955-56 S22, S23 Est Wagon	1937-49 6-cylinder Est Wagon LWB 1950-54 6-cylinder Est Wagon LWB 8-cylinder C49, C52, C54 C55, C56, C58 C63, C64

**8 1/4" (REMOVABLE CARRIER) RING GEAR REAR AXLE  
8 3/4" RING GEAR AXLE (CONT'D)**

<b>K E Y</b>	<b>ATLAS P/N</b>	<b>QTY REQ</b>	<b>PLYMOUTH</b>	<b>DODGE</b>	<b>DESOTO</b>	<b>CHRYSLER/ IMPERIAL</b>
8	806-206 Carrier Gasket	1				1955-56 C67, C71 Est Wagon, Pwr Pack C68, C69, C72, C73
8	806-207 Carrier Gasket	1				1949 C47 aft 7813049 1950-52 C50, C53
8	806-208 Carrier Gasket	1				1953-56 C59, C66, C70
8	806-015 Carrier Gasket	1	1957-59 8-cylinder	1957-59 8-cylinder	1957-59 8-cylinder	1957-59 8-cylinder
9	806-189 FR Pinion Seal	1	1933-36 all PLYMOUTH	1933-35 all DODGE 1936 exc LWB	1932-35 all DESOTO	1932-35 6-cylinder
9	806-204 FR Pinion Seal	1		1936-48 LWB	1936 all DESOTO	1936 all CHRYSLER 1937-50 6-cylinder LWB 8-cylinder exc IMPERIAL
9	806-155 FR Pinion Seal	1	1937-56 all PLYMOUTH 1957 some	1937-56 exc LWB 1957 some	1937-48 all DESOTO 1949-54 6-cylinder exc LWB 1955-56 exc Est Wagon 1957 Firesweep some Firedome Fireflite	1937-54 6-cylinder exc LWB 1955 Windsor exc Est Wagon 1956 Windsor exc Est Wagon exc Pwr Pack 1957 all Chrysler all IMPERIAL
9	806-156 FR Pinion Seal	1			1949-51 Est Wagon	1940-42 all IMPERIAL 1953-54 CR IMPERIAL
9	806-157 FR Pinion Seal	1			1952-54 6-cylinder Est Wagon 8-cylinder 2-pinion type	1951-54 8-cylinder exc CR IMPERIAL